

PRODUCT INFORMATION

PRESSURE AND VACUUM RELIEF

ELEVENT®

Breather Valve



REMBE® GMBH
SAFETY+CONTROL



Engineered
and Manufactured
in Germany



...for protection of vessels and tanks from ± 2 mbar

Vessels and tanks with low design pressures are effectively protected against the effects of excessive pressure and vacuum with ELEVENT® breather valves. They systematically and effectively prevent fugitive emissions of gas, or other pollutant media, while at the same time negating explosive scenarios as well as from potentially problematic air intake. A constant controlled tank pressure level is assured.

The unique low and compact ELEVENT® valve design is accomplished by the full deep-drawn stainless steel resp. metal housing.

Available with multiple connection options including sanitary clamp connections where the system offers a modular assembly as well as inter-changeable components. Maintenance is a quick and easy process requiring no special tools.

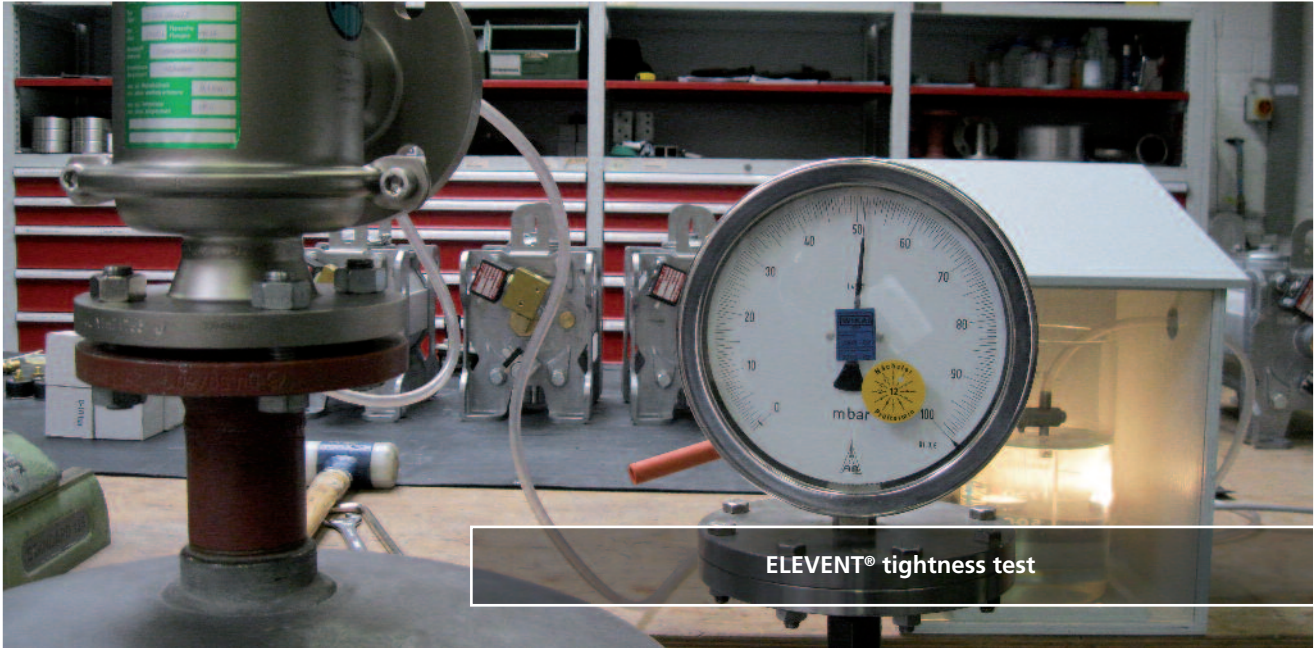
The pioneering breather valve concept with its deep-drawn housing presents a flexible configuration of available connections, allowing any client to customise according to his requirements and the specifications of the facility. Connection designs with ANSI flanges, Tri-Clamp and pipe screw connections IAW DIN 11851 as well as CF and KF flanges are available upon request.



Features

- Sizes from DN 25 (1") to DN 200 (10")
- Pressures of 2 mbar to 200 mbar dependent on size
- Special sizes and custom design up to 200 mbar
- Easy inspection and maintenance guaranteed by clamp connections
- Seat replaceable on site
- Modular design with interchangeable components
- Light and compact design
- Extraordinarily sturdy at low weight
- Advanced sealing technology
- HALAR and PFA coating*
- Special materials like hastelloy C276/C-22 for absolute corrosion resistance*
- Realization of lowest set pressures*
- Heatable designs*

*optional



Application

- Vessels with nitrogen neutralization
- Centrifuges for pharmaceutical industry and fine chemistry
- Low pressurized tanks and facilities

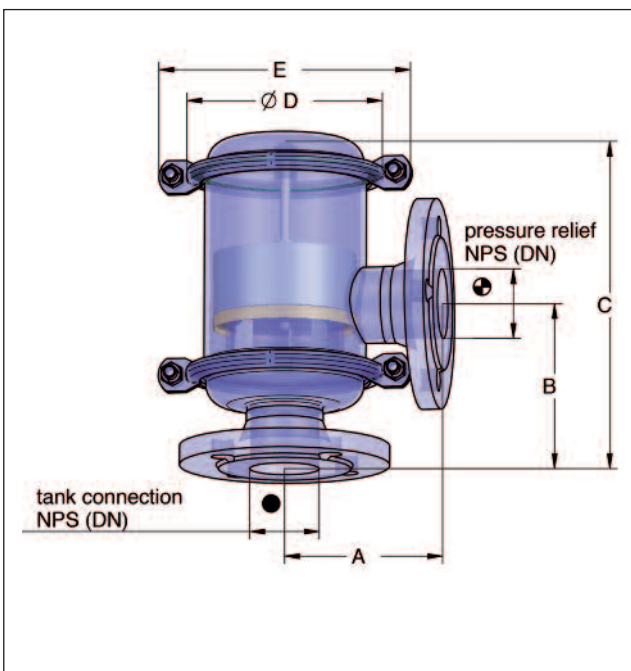
Function

The ELEVENT® breather valve maintains a tight seal until system pressure or vacuum exceeds the set pressure. When pressure occurs the weighted valve plate is lifted and the pressure can leak out. After decrease in pressure the valve reseats and maintains a reliable seal of the system.

The optimized "air cushion" sealing principle provides a smooth valve stroke while blowing off as well as repeatable leak tight sealing. Valve chatter and wear are prevented.

Technical Data

ELV-E



Type	NPS	DN	Pressure	A	B	C	D	E
	[in]	[mm]	[mbarg]	[mm]				
ELV E - 1 / 1	1"	25	2 - 100	100	100	195	105	150
ELV E - 2 / 2	2"	50	2 - 50	125	130	223	155	200
			51 - 100			263		
			101 - 200			348		
ELV E - 3 / 3	3"	80	2 - 200	155	155	375	208	263
ELV E - 4 / 4	4"	100	2 - 200	175	175	395	208	263
ELV E - 6 / 6	6"	150	2 - 200	255	255	510	325	385
ELV E - 8 / 8	8"	200	2 - 200	265	325	570	325	385

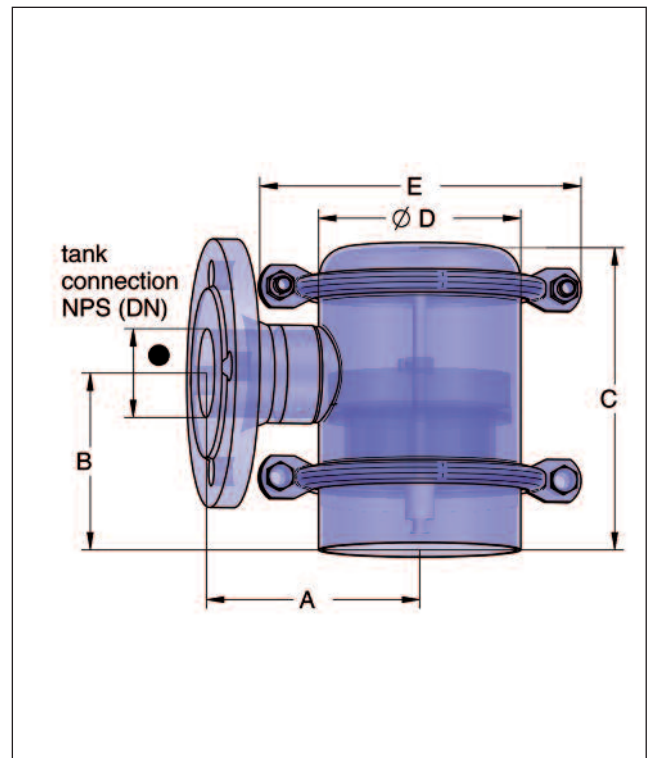
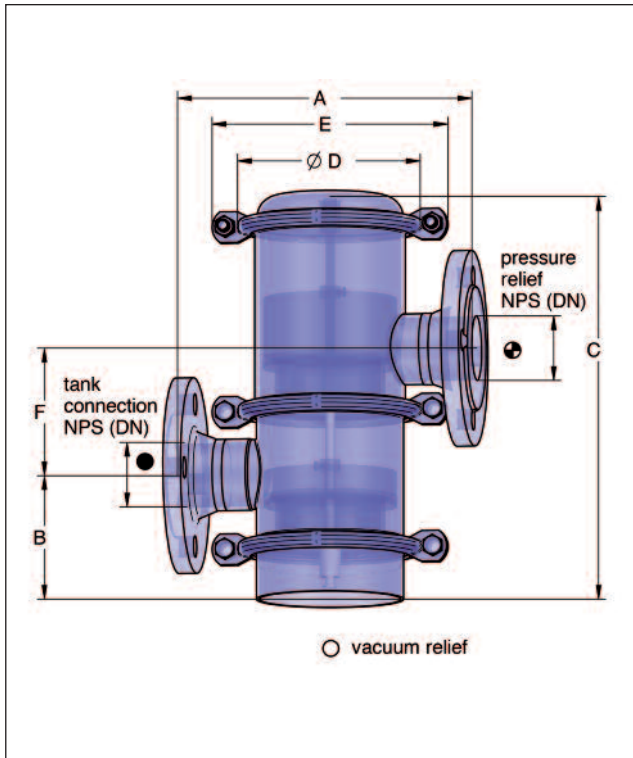
Dimensions refer to flanges IAW DIN EN 1092-1, Type 11, Form B, PN 16, other flange types on request



Technical Data

ELV-KL

ELV-U



Type	NPS	DN	Pressure	Vacuum ¹	A	B	C	D	E	F
	[in]	[mm]	[mbarg]	[mbarg]	[mm]					
ELV KL - 1 / 1	1"	25	2 - 100	2 - 50	200	65	270	105	150	95
ELV KL - 2 / 2	2"	50	2 - 50	2 - 30 ²	250	100	308	155	200	115
			51 - 100				348			
			101 - 200				418			
ELV KL - 3 / 3	3"	80	2 - 200	2 - 100	310	150	555	208	263	188
ELV KL - 4 / 4	4"	100	2 - 200	2 - 100	350	150	555	208	263	188
ELV KL - 6 / 6	6"	150	2 - 200	2 - 100	510	225	710	325	430	240
ELV KL - 8 / 8	8"	200	2 - 200	2 - 100	530	250	770	325	430	310

Dimensions refer to flanges IAW DIN EN 1092-1, Type 11, Form B, PN 16, other flange types on request

¹) DN 50 (2") vacuum set-up 31 - 50 mbarg (0.45 - 0.73 psig)
F* = F+40, C* = C+40

²) Higher set pressures in vacuum direction on request

Type	NPS	DN	Vacuum	A	B	C	D	E
	[in]	[mm]	[mbarg]	[mm]				
ELV U - 1	1"	25	2 - 100	100	65	160	105	150
ELV U - 2	2"	50	2 - 50	125	100	195	155	200
			51 - 100			235		
			101 - 200			305		
ELV U - 3	3"	80	2 - 200	155	150	310	208	263
ELV U - 4	4"	100	2 - 200	175	150	310	208	263
ELV U - 6	6"	150	2 - 200	255	225	402	325	385
ELV U - 8	8"	200	2 - 200	265	250	472	325	385

Dimensions refer to flanges IAW DIN EN 1092-1, Type 11, Form B, PN 16, other flange types on request

Customer Benefits

- Reduced costs for nitrogen inert systems
- Suitable on aggressive media applications
- Simply in situ pressure/vacuum setting due to change in weight

Quality and Certifications

Each ELEVENT® breather valve is tested and delivered with inspection certificate 3.1 in accordance with EN 10204.