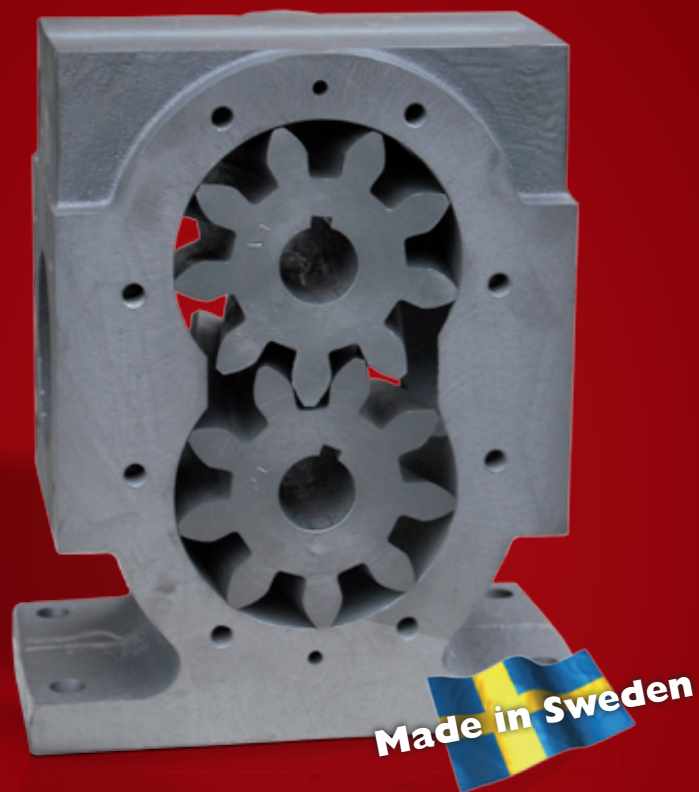


Gear Pump



Swedenpumpen

AB GF SWEDENBORG
— **INGENIÖRSFIRMA** —



www.swedenborg.se

AB GF SWEDENBORG INGENIÖRSFIRMA

founded in 1964 and operated initially as an agency. Today we also manufacture and design gear pumps as well as exhaust gas dampers.

All manufacturing and casting take place in Sweden which makes it possible to achieve full control of both the design and the manufacturing process.



SWEDENPUMPEN provides many advantages:

- Modular built = short delivery times
- Twisted gears for silent operation
- PEEK gears for non-lubricating media
- External flush for abrasive media
- Double mechanical seal as option
- No gear boxes are necessary because different displacements can be obtained in the same pump
- Integrated overflow valve, double if pump is running in both directions
- Heat jacketed in body and in the overflow valve

Swedenpumpen is an external gear pump,

designed and manufactured in Sweden.

It can be delivered either short coupled or with a flexible coupling.

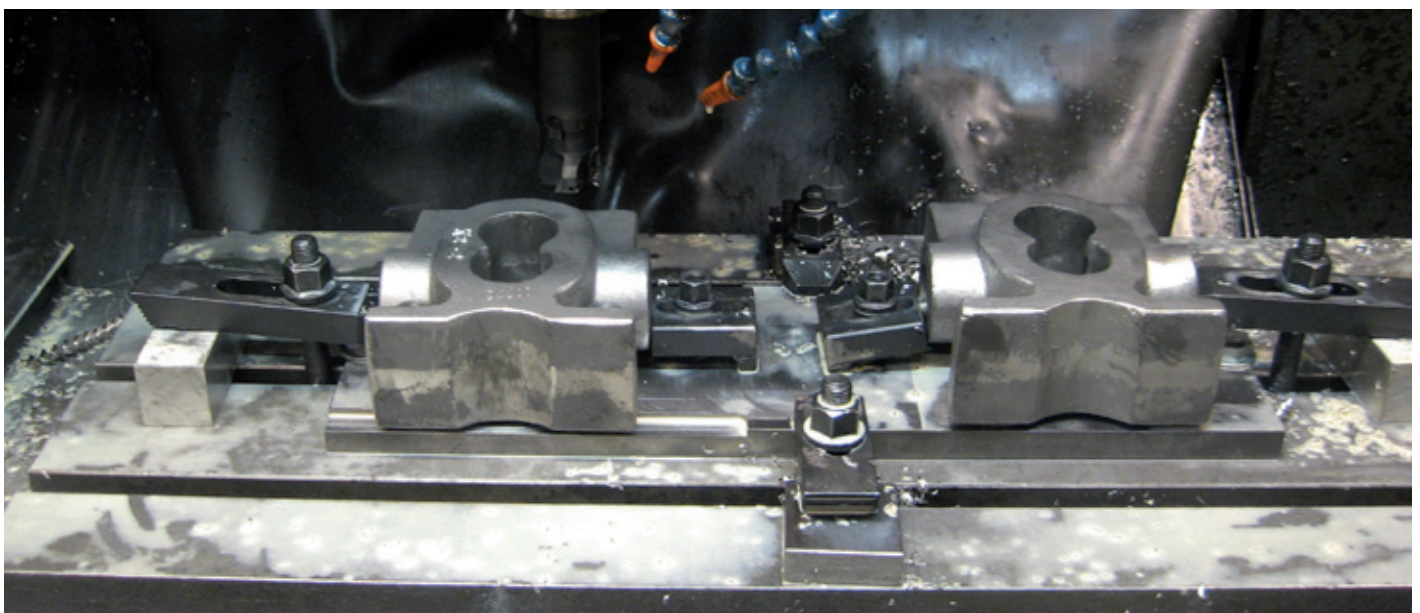
In standard design the pump is equipped with a single mechanical seal or stuffing box.

The pump can also be furnished with a double mechanical seal.

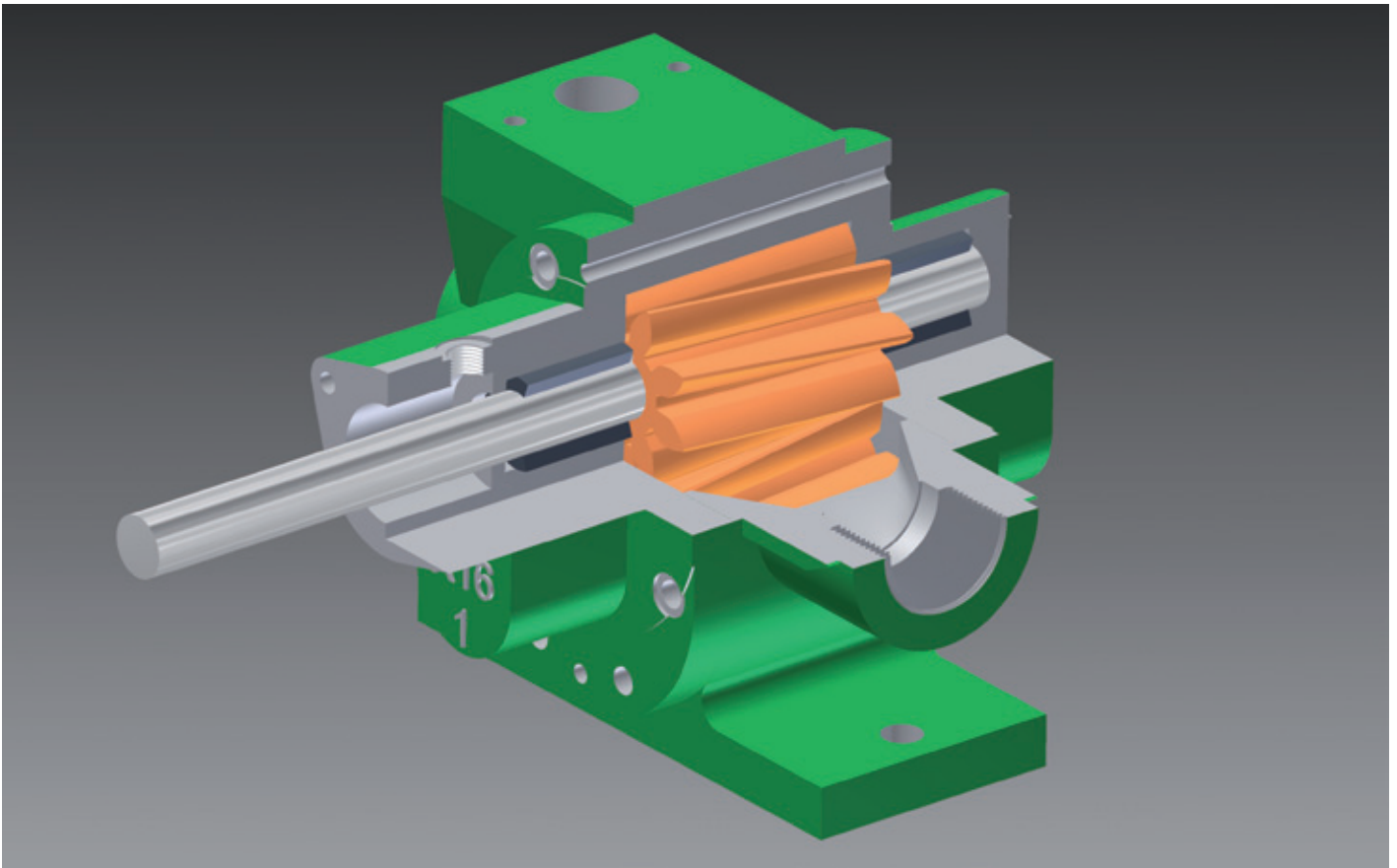
Available materials: cast iron, stainless steel and bronze.

Special material on request.

For more information, please see separate data sheet.



CNC - machining



Drawings in dwg or step-files on request



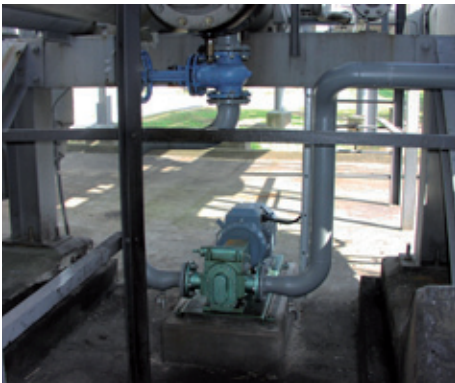
Fuel burner pump



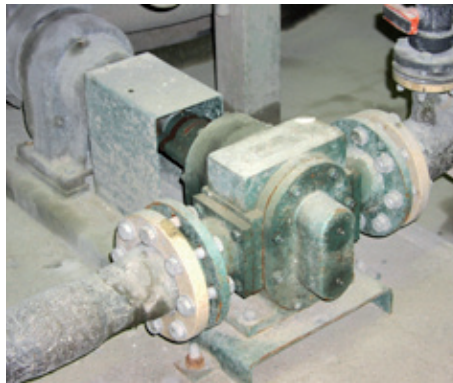
Grease external - for abrasive media



Paint pump with hardened shaft



Pipe draining pump



Swedenpumpen in action



Delivery for lubrication plant

Our quality range of products

Centrifugal pumps

Gas dampers

Valves

Service

AB GF SWEDENBORG
— **INGENIÖRSFIRMA** —



www.swedenborg.se