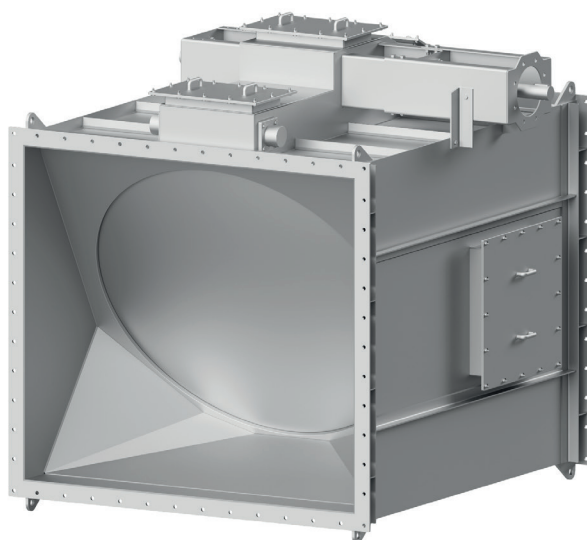


# Disc Damper S450

## APPLICATIONS

Used in an industrial system to fully open or close the flow in a duct. Especially beneficial where complete shutdown is critical, such as in a bypass to a chimney, filter, or at the intake and outlet of an air handling unit.

Suitable for clean gases as well as gases with some particulate content. For shutdown and emission control. To optimize and ensure tightness. To meet environmental standards.



## TECHNICAL DESCRIPTION

Robust and stable construction. A through-shaft where the blade is suspended in a three-point linkage. The damper blade is flat or curved depending on the dimension and function. The three-point linkage, together with the blade shape, ensures 100% geometric sealing.

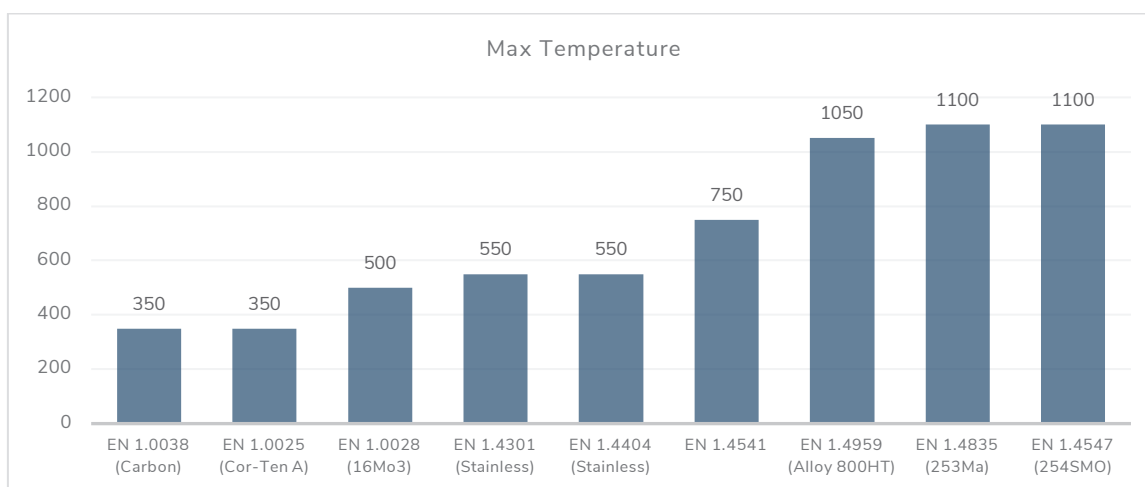
The advantage of the S450 is that the blade is lifted out of the duct in the open position. This comes at the cost of a larger installation size.

Plate dampers are installed so that the flow presses the blade against the sealing surface, which helps the pressure to keep the damper tight.

- Stuffing box on both sides in stainless steel with double ball bearings in S235 as standard.
- The choice of materials for the housing, blades, and flanges depends on several factors, such as temperature, corrosive environments, or wear. Materials can be mixed, for example, different materials for the housing and blades.
- Blade sealing available in materials like PTFE, Fiberglass, Silicone.
- Flanges are manufactured according to your specifications or using our or other known standards in the market.
- We design according to your needs, in almost all alloys.

Capacity	
Temperature	< 750°C
Size	DN250 - 2000

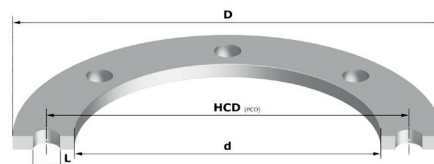
## MAX TEMPERATURE – A selection of our material



## SEALING MATERIALS

Material	Chemical properties			Physical properties		Temp. Range	
	Weather & Ozone	Hot water, steam, weak acid, Alkalies	Strong acids & Oxidizing acids	Wear resistance	Tensile strength Kp/cm <sup>2</sup>	Highest °C dry	Lowest °C
Nitrile / NBR	Fair	Good	Fair	Good	100-250	+140	-60
Rubber / EPDM	Excellent	Excellent	Good	Good	70-180	+150	-50
Fluorine / VITON	Excellent	Excellent	Good	Good	150-200	+240	-45
Silicone / SI	Excellent	Fair	Poor	Poor	40-100	+275	-100
Fluorine / PTFE	Excellent	Excellent	Good	Good		+260	-200
Butyl / IIR	Good	Excellent	Good	Fair	100-180	+140	-50
E-glass	Excellent	Excellent	Excellent	Excellent		+550	-50
Ceramic fibre / Inconel	Excellent	Excellent	Excellent	Excellent		+1250	-50

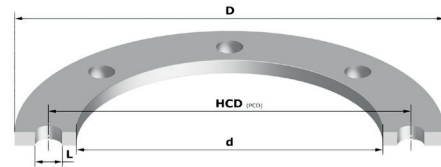




## FLANGE S235

Material: Carbon (SS1312). EN standard = SS-EN 10 025 - S235JRG2 (1.0038)

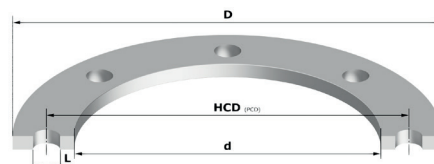
DN	Flat iron	Ring	d	PCD	D	No. Holes (N)	Hole diam. (L)
100	30 x 6	30 x 6	110	142	170	4	12
125	30 x 6	30 x 6	135	167	195	4	12
150	40 x 6	40 x 6	160	202	240	8	12
175	40 x 6	40 x 6	185	227	265	8	12
200	40 x 6	40 x 6	210	252	290	8	12
250	40 x 6	40 x 6	260	302	340	8	12
300	40 x 6	40 x 6	310	352	390	12	14
350	40 x 6	40 x 6	360	402	440	12	14
400	50 x 10	50 x 10	410	465	510	12	14
450	50 x 10	50 x 10	460	515	560	12	14
500	50 x 10	50 x 10	510	565	610	12	14
550	50 x 10	50 x 10	564	615	664	16	18
600	50 x 10	50 x 10	614	665	714	16	18
650	50 x 10	50 x 10	664	715	764	16	18
700	60 x 12	50 x 10	714	778	834	16	18
750	60 x 12	50 x 10	764	828	884	16	18
800	60 x 12	50 x 10	814	880	934	20	18
850	60 x 12	50 x 10	864	930	984	20	18
900	60 x 12	50 x 10	914	980	1034	20	18
950	60 x 12	50 x 10	964	1030	1084	20	18
1000	60 x 12	50 x 10	1014	1080	1134	24	18
1050	60 x 12	50 x 10	1068	1130	1188	24	18
1100	60 x 12	50 x 10	1118	1180	1238	24	18
1150	60 x 12	50 x 10	1168	1230	1288	24	18
1200	60 x 12	50 x 10	1218	1280	1338	28	18
1250	60 x 12	50 x 10	1268	1330	1388	32	18
1300	60 x 12	50 x 10	1318	1380	1438	32	18
1350	60 x 12	50 x 10	1368	1430	1488	32	18
1400	60 x 12	50 x 10	1418	1480	1538	36	18
1450	60 x 12	50 x 10	1468	1530	1588	36	18
1500	60 x 15	60 x 12	1518	1580	1638	40	18
1550	60 x 15	60 x 12	1568	1630	1688	40	18
1600	60 x 15	60 x 12	1618	1680	1738	40	18
1650	60 x 15	60 x 12	1668	1730	1788	40	18
1700	60 x 15	60 x 12	1718	1780	1838	44	18
1750	60 x 15	60 x 12	1768	1830	1888	44	18
1800	60 x 15	60 x 12	1818	1880	1938	44	18
1850	60 x 15	60 x 12	1868	1930	1988	44	18
1900	60 x 15	60 x 12	1918	1980	2038	48	18
1950	60 x 15	60 x 12	1968	2030	2088	48	18
2000	60 x 15	60 x 12	2018	2080	2138	52	18



## FLANGE STAINLESS

Material: Stainless (SS2333). EN standard = SS-EN 10 0250-4 - EN 1,4301

DN	Flat iron	Ring	d	PCD	D	No. Holes (N)	Hole diam. (L)
100	30 x 6	30 x 6	110	142	170	4	12
125	30 x 6	30 x 6	135	167	195	4	12
150	40 x 6	40 x 6	160	202	240	8	12
175	40 x 6	40 x 6	185	227	265	8	12
200	40 x 6	40 x 6	210	252	290	8	12
250	40 x 6	40 x 6	260	302	340	8	12
300	40 x 6	40 x 6	310	352	390	12	14
350	40 x 6	40 x 6	360	402	440	12	14
400	50 x 8	50 x 8	410	465	510	12	14
450	50 x 8	50 x 8	460	515	560	12	14
500	50 x 8	50 x 8	510	565	610	12	14
550	50 x 8	50 x 8	562	615	662	16	18
600	50 x 8	50 x 8	612	665	712	16	18
650	50 x 8	50 x 8	662	715	762	16	18
700	60 x 10	50 x 8	712	778	832	16	18
750	60 x 10	50 x 8	762	828	882	16	18
800	60 x 10	50 x 8	812	880	932	20	18
850	60 x 10	50 x 8	862	930	982	20	18
900	60 x 10	50 x 8	912	980	1032	20	18
950	60 x 10	50 x 8	962	1030	1082	20	18
1000	60 x 10	50 x 8	1012	1080	1132	24	18
1050	60 x 10	50 x 8	1064	1130	1184	24	18
1100	60 x 10	50 x 8	1114	1180	1234	24	18
1150	60 x 10	50 x 8	1164	1230	1284	24	18
1200	60 x 10	50 x 8	1214	1280	1334	28	18
1250	60 x 10	50 x 8	1264	1330	1384	32	18
1300	60 x 10	50 x 8	1314	1380	1434	32	18
1350	60 x 10	50 x 8	1364	1430	1484	32	18
1400	60 x 10	50 x 8	1414	1480	1534	36	18
1450	60 x 10	50 x 8	1464	1530	1584	36	18
1500	60 x 12	60 x 10	1514	1580	1634	40	18
1550	60 x 12	60 x 10	1464	1630	1684	40	18
1600	60 x 12	60 x 10	1614	1680	1734	40	18
1650	60 x 12	60 x 10	1664	1730	1784	40	18
1700	60 x 12	60 x 10	1714	1780	1834	44	18
1750	60 x 12	60 x 10	1764	1830	1884	44	18
1800	60 x 12	60 x 10	1814	1880	1934	44	18
1850	60 x 12	60 x 10	1864	1930	1984	44	18
1900	60 x 12	60 x 10	1914	1980	2034	48	18
1950	60 x 12	60 x 10	1964	2030	2084	48	18
2000	60 x 12	60 x 10	2014	2080	2134	52	18



## FLANGE ACID RESISTANT

Material: Stainless (SS2348). EN standard = SS-EN 10 088-2,-3 - EN 1,4404

DN	Flat iron	Ring	d	PCD	D	No. Holes (N)	Hole diam. (L)
100	30 x 6	30 x 6	110	142	170	4	12
125	30 x 6	30 x 6	135	167	195	4	12
150	40 x 6	40 x 6	160	202	240	8	12
175	40 x 6	40 x 6	185	227	265	8	12
200	40 x 6	40 x 6	210	252	290	8	12
250	40 x 6	40 x 6	260	302	340	8	12
300	40 x 6	40 x 6	310	352	390	12	14
350	40 x 6	40 x 6	360	402	440	12	14
400	50 x 8	50 x 8	410	465	510	12	14
450	50 x 8	50 x 8	460	515	560	12	14
500	50 x 8	50 x 8	510	565	610	12	14
550	50 x 8	50 x 8	562	615	662	16	18
600	50 x 8	50 x 8	612	665	712	16	18
650	50 x 8	50 x 8	662	715	762	16	18
700	60 x 10	50 x 8	712	778	832	16	18
750	60 x 10	50 x 8	762	828	882	16	18
800	60 x 10	50 x 8	812	880	932	20	18
850	60 x 10	50 x 8	862	930	982	20	18
900	60 x 10	50 x 8	912	980	1032	20	18
950	60 x 10	50 x 8	962	1030	1082	20	18
1000	60 x 10	50 x 8	1012	1080	1132	24	18
1050	60 x 10	50 x 8	1064	1130	1184	24	18
1100	60 x 10	50 x 8	1114	1180	1234	24	18
1150	60 x 10	50 x 8	1164	1230	1284	24	18
1200	60 x 10	50 x 8	1214	1280	1334	28	18
1250	60 x 10	50 x 8	1264	1330	1384	32	18
1300	60 x 10	50 x 8	1314	1380	1434	32	18
1350	60 x 10	50 x 8	1364	1430	1484	32	18
1400	60 x 10	50 x 8	1414	1480	1534	36	18
1450	60 x 10	50 x 8	1464	1530	1584	36	18
1500	60 x 12	60 x 10	1514	1580	1634	40	18
1550	60 x 12	60 x 10	1464	1630	1684	40	18
1600	60 x 12	60 x 10	1614	1680	1734	40	18
1650	60 x 12	60 x 10	1664	1730	1784	40	18
1700	60 x 12	60 x 10	1714	1780	1834	44	18
1750	60 x 12	60 x 10	1764	1830	1884	44	18
1800	60 x 12	60 x 10	1814	1880	1934	44	18
1850	60 x 12	60 x 10	1864	1930	1984	44	18
1900	60 x 12	60 x 10	1914	1980	2034	48	18
1950	60 x 12	60 x 10	1964	2030	2084	48	18
2000	60 x 12	60 x 10	2014	2080	2134	52	18